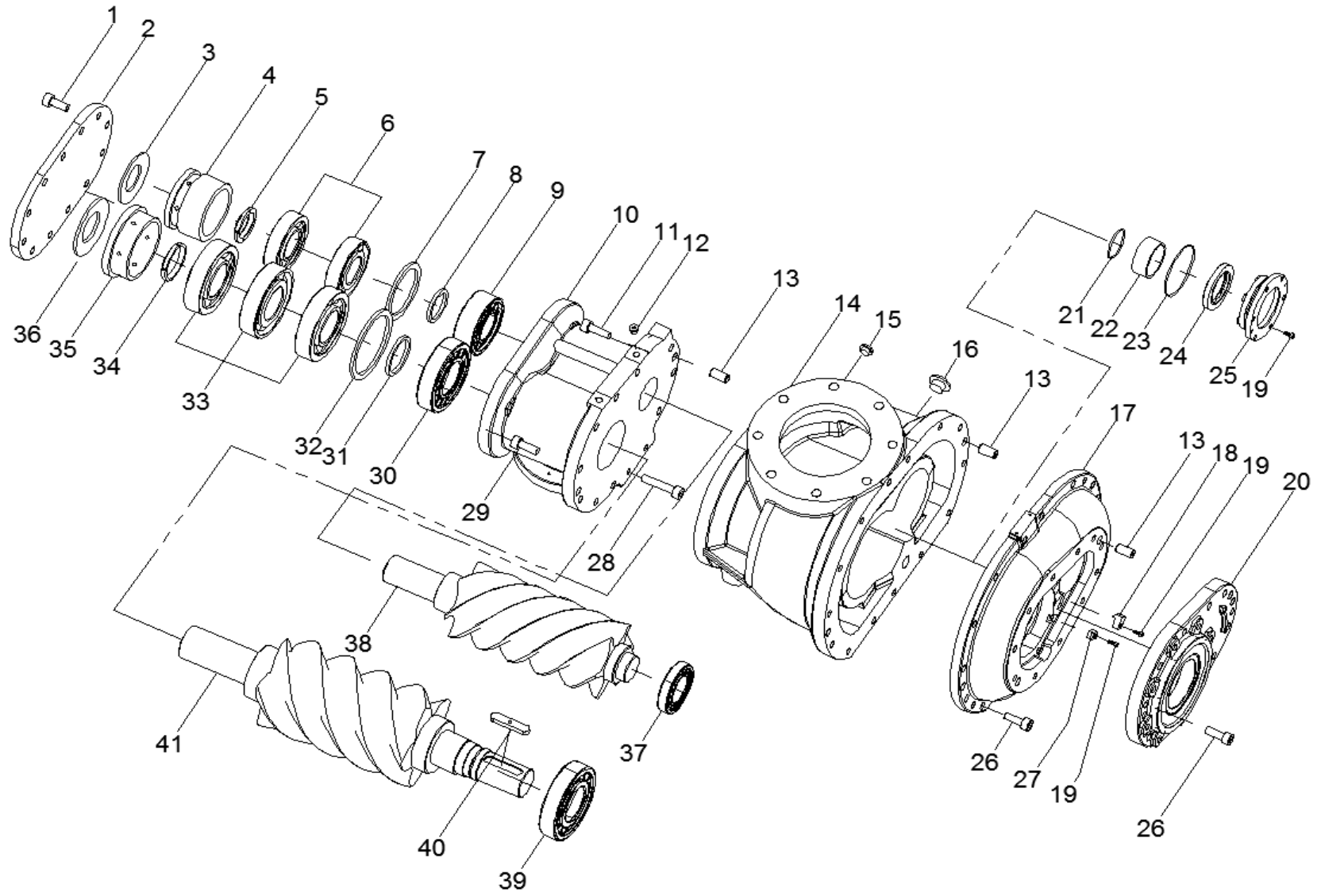


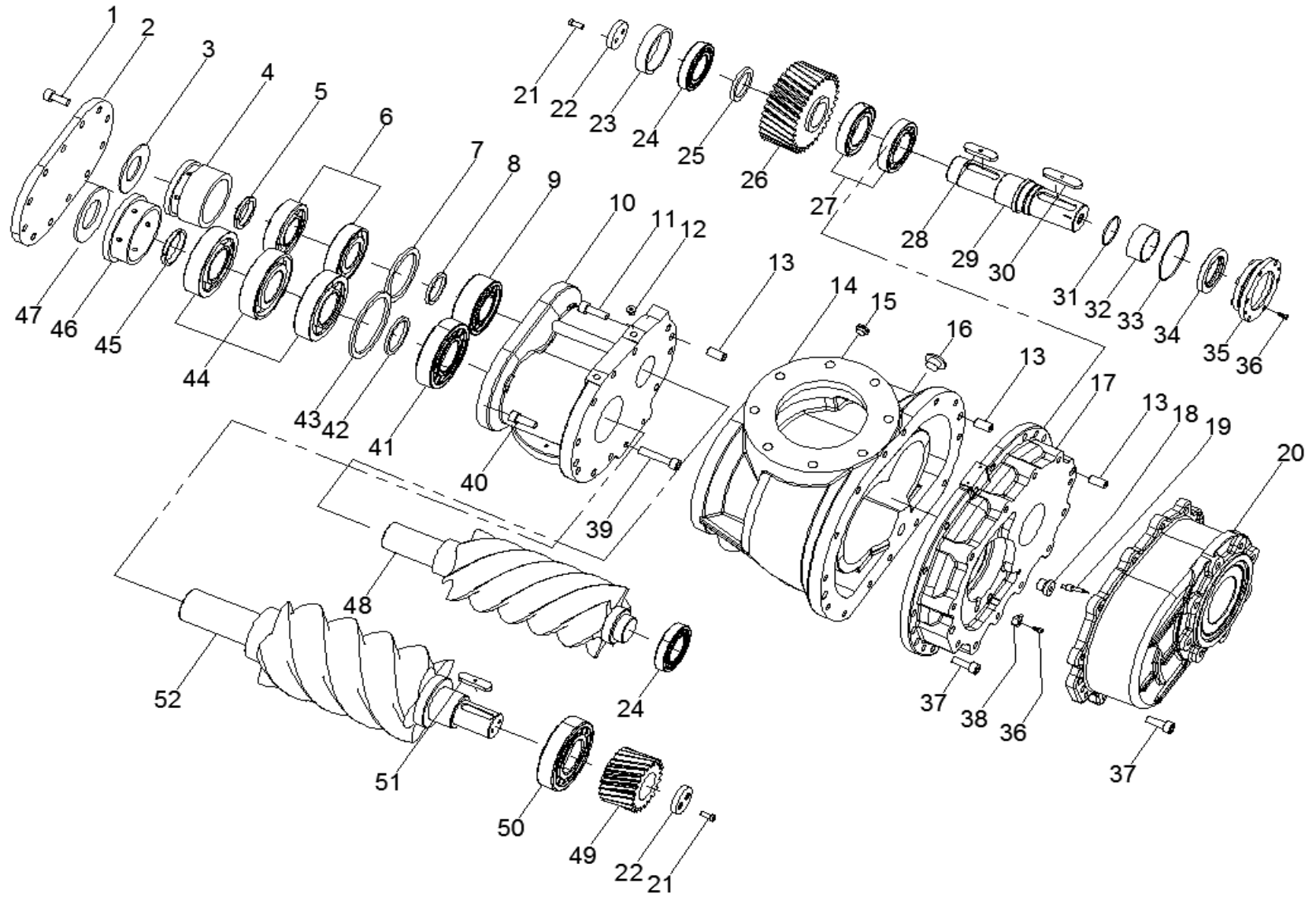
AA-1560 Construction BOM



AA-1560 Construction BOM

Item	Number	Description	Quantity	Item	Number	Description	Quantity
1	4301-116040-C	Bolt	12	22	4807-04	Bush	1
2	3523-1101A	Discharge Cover Plate	1	23	4201-VG125	O-Ring	1
3	4307-DB125	Disc Spring	1	24	4203-085110R	Shaft Seal	1
4	3523-1111A	Bearing Spacer	1	25	3507-1161D	Seal Cover	1
5	4302-265	KM Nut	1	26	4301-116045-C	Bolt	25
6	4101-7313BUO	Bearing	2	27	3507-1037A	Stop	2
7	3504-113DA	Spacer Ring	1	28	4301-116080-C	Bolt	2
8	3504-1134A	Spacer Ring	1	29	4301-116050-C	Bolt	8
9	4102-NU2313E	Bearing	1	30	4102-NU316E	Bearing	2
10	35323-1131AE	Bearing Seat	1	31	3507-1134A	Spacer Ring	1
11	4301-116060-C	Bolt	3	32	3507-113DA	Spacer Ring	1
12	4305-924	Plug	6	33	4101-7316BUO	Bearing	3
13	3101-1102B	Parallel Pin	6	34	4302-280	KM Nut	1
14	35323-1141AD	Housing	1	35	3523-1109A	Bearing Spacer	1
15	4305-925	Plug	1	36	4307-DB140	Disc Spring	1
16	4305-929	Plug	1	37	4102-NJ213E	Bearing	1
17	35323-1166AD	Bearing Seat	1	38	35323-1133AE	Female Rotor	1
18	3514-1037A	Stop	2	39	4102-NJ317E	Bearing	1
19	4301-106016-C	Bolt	10	40	3508-3117A	Parallel Key	1
20	35323-1163AB	Front Cover Plate	1	41	35323-1132AE	Male Rotor	1
21	4201-VG070	O-Ring	1				

AA-1560,I=X,XX Construction BOM



AA-1560,I=X,XX Construction BOM

Item	Number	Description	Quantity	Item	Number	Description	Quantity
1	4301-116040-C	Bolt	12	27	4101-7215BECBP	Bearing	2
2	3523-1101A	Discharge Cover Plate	1	28	3508-3114B	Gear Key	1
3	4307-DB125	Disc Spring	1	29	35308-3113BB	Gear Shaft	1
4	3523-1111A	Bearing Spacer	1	30	3507-1164B	Parallel Key	1
5	4302-265	KM Nut	1	31	4201-VG070	O-Ring	1
6	4101-7313BUO	Bearing	2	32	4807-04	Bush	1
7	3504-113DA	Spacer Ring	1	33	4201-VG125	O-Ring	1
8	3504-1134A	Spacer Ring	1	34	4203-085110R	Shaft Seal	1
9	4102-NU2313E	Bearing	1	35	3507-1161D	Seal Cover	1
10	35323-1131AE	Bearing Seat	1	36	4301-106016-C	Bolt	8
11	4301-116060-C	Bolt	3	37	4301-116045-C	Bolt	26
12	4305-924	Plug	7	38	3506-1037	Stop	2
13	3101-1102B	Parallel Pin	6	39	4301-116080-C	Bolt	2
14	35323-1141AD	Housing	1	40	4301-116050-C	Bolt	8
15	4305-925	Plug	1	41	4102-NU316E	Bearing	2
16	4305-929	Plug	1	42	3507-1134A	Spacer Ring	1
17	35324-1166BA	Bearing Spacer	1	43	3507-113DA	Spacer Ring	1
18	3508-3117A	Adapter Sleeve	1	44	4101-7316BUO	Bearing	3
19	4807-907	Conduit Coupling	1	45	4302-280	KM Nut	1
20	35324-3101AC	Gear Box	1	46	3523-1109A	Bearing Spacer	1
21	4301-110025-C	Bolt	4	47	4307-DB140	Disc Spring	1
22	3508-3116A	Fixed Plate	2	48	35323-1133AE	Female Rotor	1

Item	Number	Description	Quantity	Item	Number	Description	Quantity
23	3524-3119A	Spacer Ring	1	49	35308-32XXD	Pinion Gear	1
24	4102-NJ213E	Bearing	2	50	4102-NJ317E	Bearing	1
25	3508-3102A	Spacer Ring	1	51	3508-3117A	Pinion Key	1
26	35308-31XXC	Gear	1	52	35324-1132AE	Male Rotor	1

AA-1900R Construction BOM

